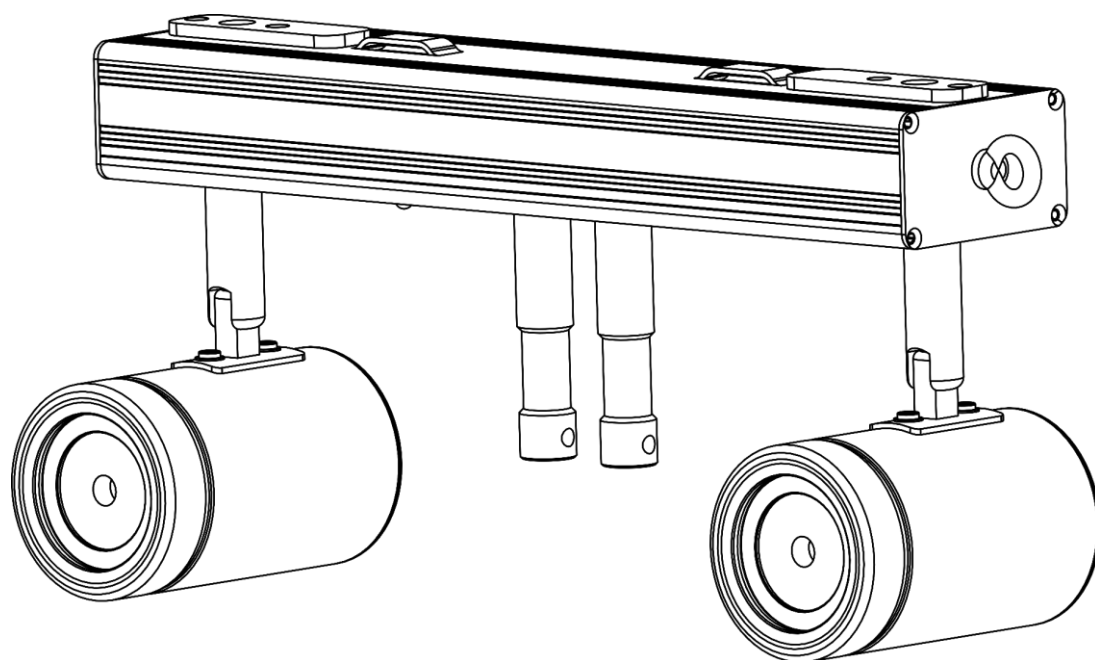




USER MANUAL



ENGLISH

Event Bar 2 CCT

V1

Product code: 44120

Preface

Thank you for purchasing this Showtec product.

The purpose of this user manual is to provide instructions for the correct and safe use of this product.

Keep the user manual for future reference as it is an integral part of the product. The user manual shall be stored at an easily accessible location.

This user manual contains information concerning:

- Safety instructions
- Intended and non-intended use of the device
- Installation and operation of the device
- Maintenance procedures
- Troubleshooting
- Transport, storage and disposal of the device

Non-observance of the instructions in this user manual may result in serious injuries and damage of property.

©2021 Showtec. All rights reserved.

No part of this document may be copied, published or otherwise reproduced without the prior written consent of Highlite International.

Design and product specifications are subject to change without prior notice.

For the latest version of this document or for other language versions, please visit our website www.highlite.com or contact us at service@highlite.com.

Highlite International and its authorized service providers are not liable for any injury, damage, direct or indirect loss, consequential or economic loss or any other loss arising from the use of, or inability to use or reliance on the information contained in this document.

Table of contents

1. Introduction	12
1.1. Before Using the Product	12
1.2. Intended Use	12
1.3. Product Lifespan.....	12
1.4. LEDs Lifespan	12
1.5. Text Conventions	13
1.6. Symbols and Signal Words.....	13
1.7. Symbols on the Information Label	13
2. Safety	14
2.1. Warnings and Safety Instructions	14
2.2. Requirements for the User.....	16
3. Description of the Device	17
3.1. Front View	17
3.2. Back View	18
3.3. Bottom View	18
3.4. Product Specifications	19
3.5. Dimensions.....	20
4. Installation	21
4.1. Safety Instructions for Installation	21
4.2. Personal Protective Equipment	21
4.3. Installation Site Requirements	21
4.4. Mounting Options.....	21
4.5. Diffuser Installation	24
4.6. Charging the Battery.....	25
5. Setup	25
5.1. Stand-alone Setup	25
6. Operation	25
6.1. Safety Instructions for Operation	25
6.2. Turning On/Off	26
6.3. Control Modes	26
6.4. Manual Control.....	26
6.4.1. Maximum Output Mode	26
6.4.2. Economical Mode.....	26
6.5. Remote Control.....	27
6.5.1. Maximum Output Mode	28
6.5.2. Economical Mode.....	28
7. Troubleshooting	29
8. Maintenance	29
8.1. Preventive Maintenance	29
8.1.1. Basic Cleaning Instructions	29
8.2. Corrective Maintenance	30
9. Deinstallation, Transportation and Storage	30
9.1. Instructions for Deinstallation.....	30
9.2. Instructions for Transportation	30
9.3. Storage	30
10. Disposal	31
11. Approval	31

1. Introduction

1.1. Before Using the Product



Important

Read and follow the instructions in this user manual before installing, operating or servicing this product.

The manufacturer will not accept liability for any resulting damages caused by the non-observance of this manual.

After unpacking, check the contents of the box. If any parts are missing or damaged, contact your Highlite International dealer.

Your shipment includes:

- Showtec Event Bar 2 CCT
- AC power adapter 15 V DC
- 2 x 25° diffuser
- 2 x retainer spring
- Carrying bag
- Remote control
- User manual

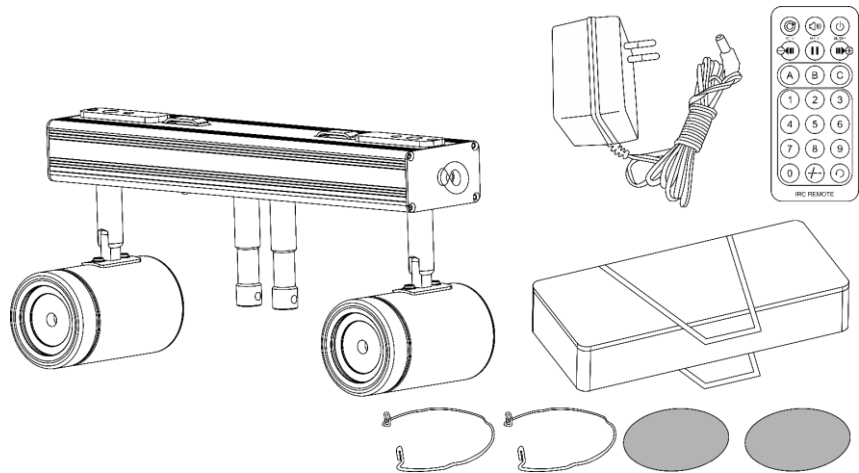


Fig. 01

1.2. Intended Use

This device is designed to be used as a battery LED bar suitable for stage lighting, corporate and private events. This device is not suitable for households and for general lighting.

Any other use, not mentioned under intended use, is regarded as non-intended and incorrect use.

1.3. Product Lifespan

This device is not designed for permanent operation. Do not switch on and off the device in short intervals. This will reduce the wear and will improve the device's lifespan.

1.4. LEDs Lifespan

The light output of the LEDs gradually decreases over time (lumen depreciation). High operating temperatures contribute to this process. You can extend the lifespan of the LEDs by providing adequate ventilation and operating the LEDs at the lowest possible brightness.

1.5. Text Conventions








Throughout the user manual the following text conventions are used:

- Buttons: All buttons and interface sliders and fields are in bold lettering, for example “Slide the **Strobe** slider”, “Enter the DMX starting address in the **Address** field”
- References: References to chapters and parts of the device are in bold lettering, for example: “Refer to **2. Safety**”, “set **the power switch (14)** to on position”
- 0–255: Defines a range of values
- Notes: **Note:** (in bold lettering) is followed by useful information or tips

1.6. Symbols and Signal Words

Safety notes and warnings are indicated throughout the user manual by safety signs.




Always follow the instructions provided in this user manual.

-  **DANGER** Indicates an imminently hazardous situation which, if not avoided, will result in death or serious injury.
-  **WARNING** Indicates a potentially hazardous situation which, if not avoided, could result in death or serious injury.
-  **CAUTION** Indicates a potentially hazardous situation, which, if not avoided, may result in minor or moderate injury.
-  **Attention** Indicates important information for the correct operation and use of the product.
-  **Important** Read and observe the instructions in this document.
-  **Electrical hazard**
-  Provides important information about the disposal of this product.

1.7. Symbols on the Information Label

This product is provided with an information label. The information label is located on the backside of the device.

The information label contains the following symbols:

-  This device shall not be treated as household waste.
-  This device is designed for indoor use.
-  Read and observe the instructions in the user manual.

2. Safety



Important

Read and follow the instructions in this user manual before installing, operating or servicing this product.

The manufacturer will not accept liability for any resulting damages caused by the non-observance of this manual.

2.1. Warnings and Safety Instructions



DANGER

Danger for children

For adult use only. The device must be installed beyond the reach of children.

- Do not leave various parts of the packaging (plastic bags, polystyrene foam, nails, etc.) within children's reach. Packaging material is a potential source of danger for children.



DANGER

Risk of explosion caused by incorrect handling

This device contains a built-in rechargeable lithium-ion battery. The battery is not replaceable. The battery may explode or cause burns if it is crushed, disassembled or exposed to fire or high temperatures.

- Do not open the device and do not attempt to remove the built-in battery.
- Do not disassemble the battery.
- Do not crush or puncture the battery.
- Do not short-circuit the battery.
- Do not expose the battery to water or other liquids.
- Keep the battery away from fire and heat.



DANGER

Electric shock caused by short-circuit

This device is delivered with an AC power adapter. Incorrect handling of the AC power adapter may result in hazardous situations.

- Use only the AC power adapter delivered with the device.
- Do not wrap the power cable around the power adapter or any other object. This can damage the internal wires.
- Do not cover the power adapter with anything when it is plugged into the socket-outlet. This may cause overheating.
- Do not expose the power adapter to water or other liquids.

Do not use the power adapter:

- If it shows signs of overheating, for example the plastic is damaged.
- If the AC input pins show signs of corrosion or overheating.
- If the power cable is damaged or shows signs of material fatigue.



Attention **Power supply**

Before connecting the AC power adapter to the power supply, make sure that the current, voltage and frequency match the input voltage, current and frequency specified on the information label on the AC power adapter.



Attention **General safety**

- Do not switch the device on and off in short intervals. This decreases the device's life.
- Do not shake the device. Avoid brute force when installing or operating the device.
- Change the lens or the LEDs if they are visibly damaged to such an extent that their effectiveness is impaired, for example by cracks or deep scratches. Contact your Highlite International dealer for more information, as servicing can be performed only by instructed or skilled persons.
- If the device is exposed to extreme temperature variations (e.g. after transportation), do not switch it on immediately. Let the device reach room temperature before switching it on, otherwise it may be damaged by the formed condensation.
- If the device fails to work properly, discontinue the use immediately.



Attention **This device shall be used only for the purposes it is designed for.**

This device is designed to be used as a battery LED bar suitable for stage lighting, corporate and private events. This device is not suitable for households and for general lighting.

Any incorrect use may lead to hazardous situations and result in injuries and material damage.

- This device is not suitable for households and for general lighting.
- This device does not contain user-serviceable parts. Unauthorized modifications to the device will render the warranty void. Such modifications may result in injuries and material damage.



Attention **Before each use, examine the device visually for any defects.**

Make sure that:

- All screws used for installing the device or parts of the device are tightly fastened and are not corroded.
- There are no deformations on housings, fixations and installation points.
- The lens is not cracked or damaged.



Attention **Do not expose the device to conditions that exceed the rated IP class conditions.**

This device is IP20 rated. IP (Ingress Protection) 20 class provides protection against solid objects greater than 12 mm, such as fingers, and no protection against harmful ingress of water.

2.2. Requirements for the User

This product may be used by ordinary persons. Maintenance and installation may be carried by ordinary persons. Service shall be carried out only by instructed or skilled persons. Contact your Highlite International dealer for more information.

Instructed persons have been instructed and trained by a skilled person, or are supervised by a skilled person, for specific tasks and work activities associated with the installation, service and maintenance of this product, so that they can identify risks and take precautions to avoid them.

Skilled persons have training or experience, which enables them to recognize risks and to avoid hazards associated with the installation, service and maintenance of this product.

Ordinary persons are all persons other than instructed persons and skilled persons. Ordinary persons include not only users of the product but also any other persons that may have access to the device or who may be in the vicinity of the device.

3. Description of the Device

The Showtec Event Bar 2 CCT is designed to be used as a battery LED bar suitable for stage lighting, corporate and private events. The Event Bar 2 CCT can be controlled manually or with a remote control.

3.1. Front View

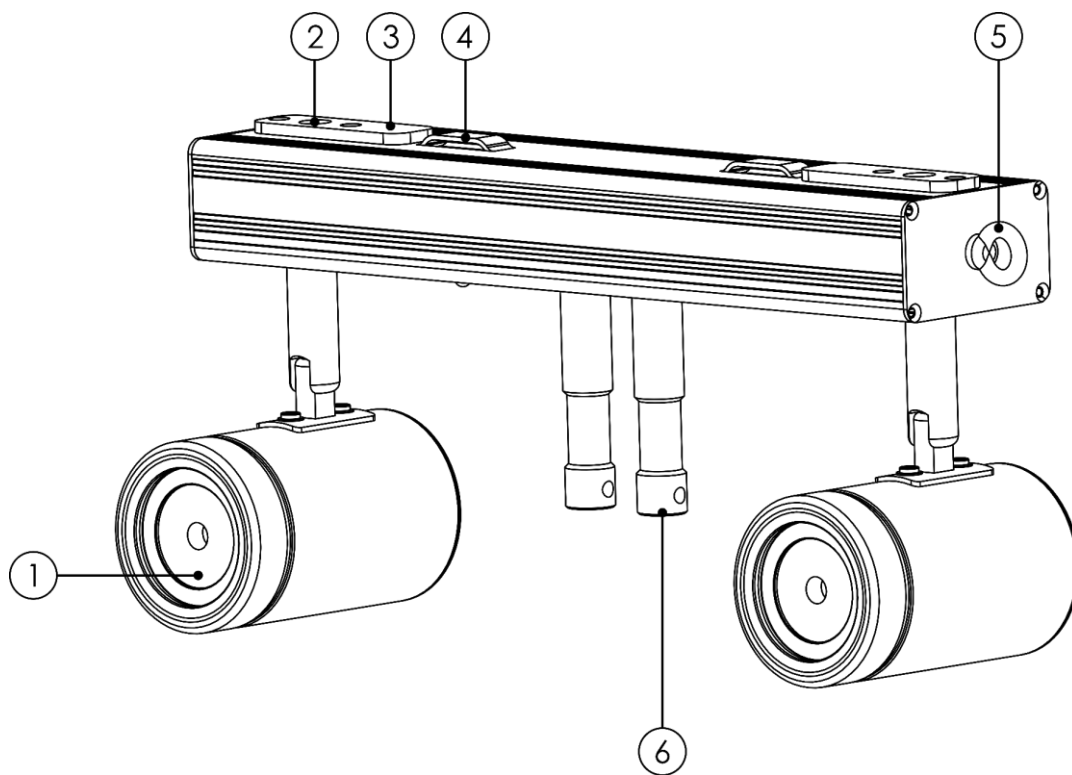


Fig. 02

- 01) 2 x 20 W White LED
- 02) 2 threaded openings, M10
- 03) Magnet
- 04) Slot for Velcro
- 05) Safety eye
- 06) 2 x spigot for the WENTEX® Pipes & Drapes (Ø 15 mm)

3.2. Back View

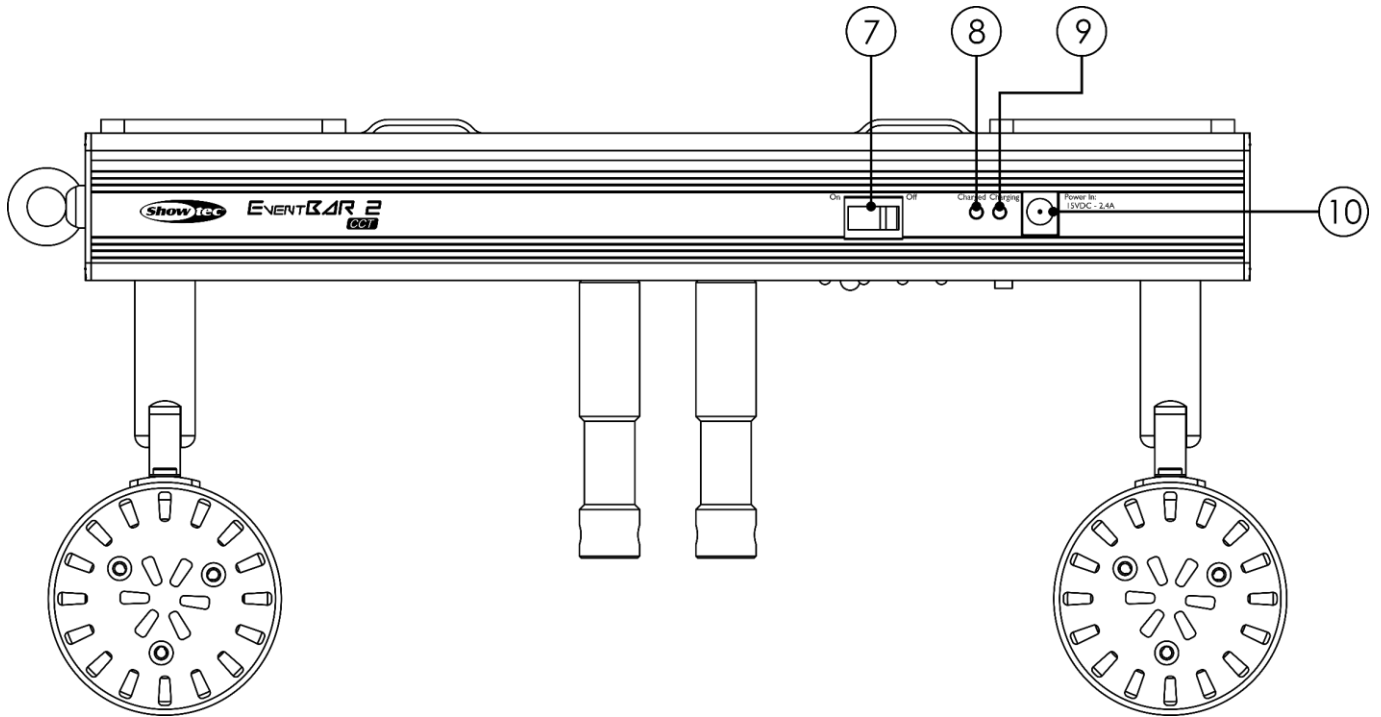


Fig. 03

- 07) Power switch ON/OFF
- 08) Charged LED indicator (green)
- 09) Charging LED indicator (red)
- 10) DC connector, 15 V DC

3.3. Bottom View

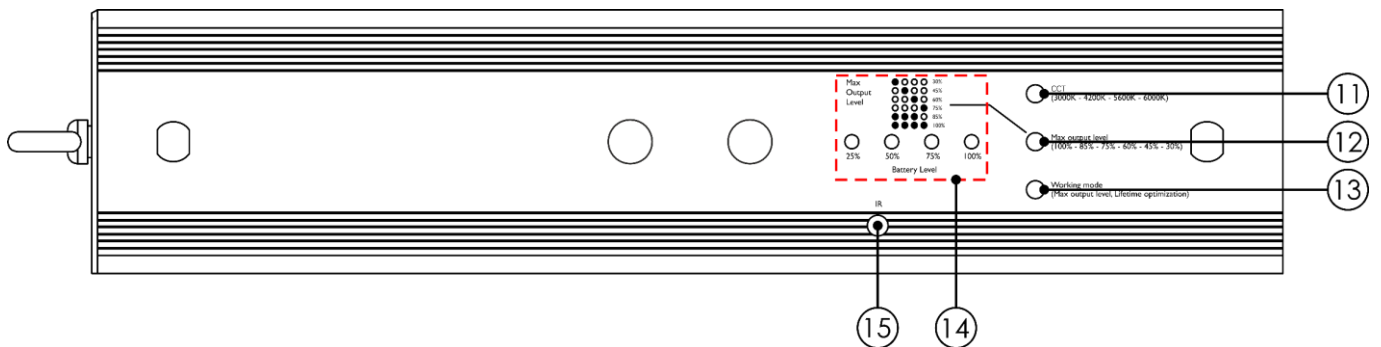


Fig. 04

- 11) CCT button
- 12) Output button
- 13) Mode button
- 14) Output level LED indicators
- 15) Infrared sensor

3.4. Product Specifications

Model:	Event Bar 2 CCT
--------	-----------------

Electrical:	
Input voltage:	15 V DC
Power consumption:	50 W

Physical:	
Dimensions:	320 x 95 x 147 mm (L x W x H)
Weight:	1,4 kg

Optics:	
Light source:	2 x 20 W White LED
Luminous flux:	550 lm
CCT:	3000–6000 K
Beam angle:	10° (25° diffusers included)

Operation and control:	
Control:	Manual, IR remote
Display:	No

AC power adapter:	
Input voltage:	100–240 V AC, 50/60 Hz
Input current:	1,2 A
Output voltage:	15 V DC
Output current:	2,4 A

Battery:	
Type:	Sealed lithium-ion battery
Capacity:	5200 mA·h
Voltage:	12,6 V
Watt-hour rating:	57,72 W·h
Runtime:	3 hours (highest output) / 8 hours (lowest output)
Charge time:	6 hours
Battery lifetime:	400 discharge cycles (battery runtime drops at 70 %)

Construction:	
Housing:	Aluminum
Color:	Black
IP rating:	IP20
Cooling:	Convection

Thermal:	
Ambient temperature t_a :	40 °C
Maximum housing temperature t_c :	70 °C

Minimum distance:	
Minimum distance to lighted object:	0,5 m

3.5. Dimensions

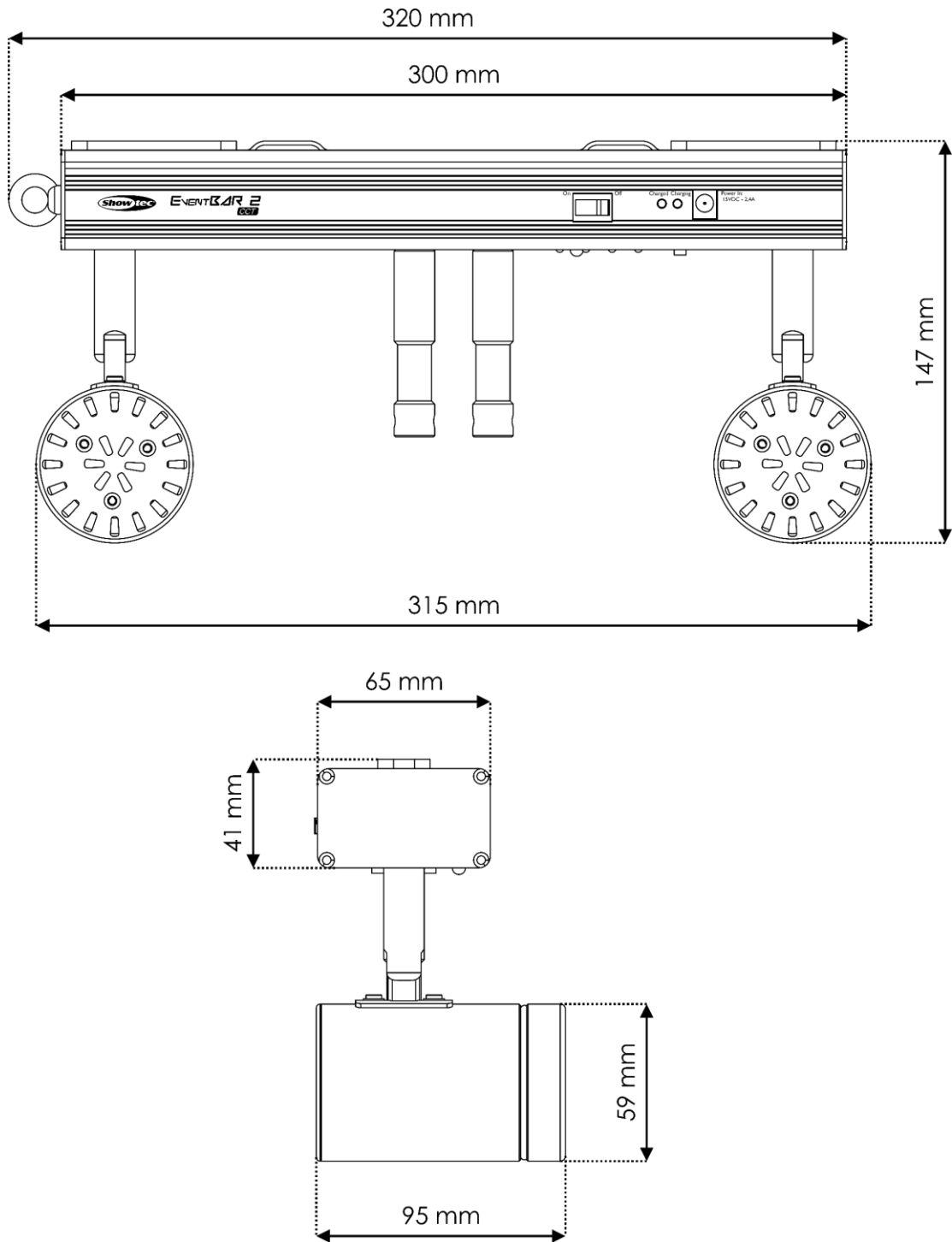


Fig. 05

4. Installation

4.1. Safety Instructions for Installation

**WARNING**

Incorrect installation can cause serious injuries and damage of property.

If trussing systems are used, installation must be carried out only by instructed or skilled persons.

Follow all applicable European, national and local safety regulations concerning rigging and trussing.

4.2. Personal Protective Equipment

During installation and rigging wear personal protective equipment in compliance with the national and site-specific regulations.

4.3. Installation Site Requirements

- The device can be used only indoors.
- The device can be mounted to a truss or other rigging structure in any orientation.
- The minimum distance to other objects must be bigger than 0,5 m.
- The minimum distance between the light output and the illuminated surface must be bigger than 0,5 m.
- The maximum ambient temperature $t_a = 40\text{ °C}$ must never be exceeded.
- The relative humidity must not exceed 50 % with an ambient temperature of 40 °C.

Note:

It is recommended to charge the device at an ambient temperature between 0 °C and 35 °C.

4.4. Mounting Options

The device can be positioned on a flat surface or mounted to a truss or other rigging structure in any orientation. Make sure that all loads are within the pre-determined limits of the supporting structure.

If the device is mounted overhead, it should always be secured with a safety cable or another secondary suspension.

**WARNING**

Do not mount the device only by the magnet above people's heads.

The secondary suspension can be attached on the **safety eye (05)**. The device is equipped with 2 **threaded openings (02)** for M10 screws where you can attach clamps.

The mounting options are as follows:

Option 1: installation on a rigging structure with clamps

- 01) Use 2 clamps to attach the device to the supporting structure, as shown in Fig. 06.
- 02) Secure the device with a secondary suspension, for example a safety cable. Make sure that the secondary suspension can hold 10 times the weight of the device. Put the safety cable through the **safety eye (05)**.

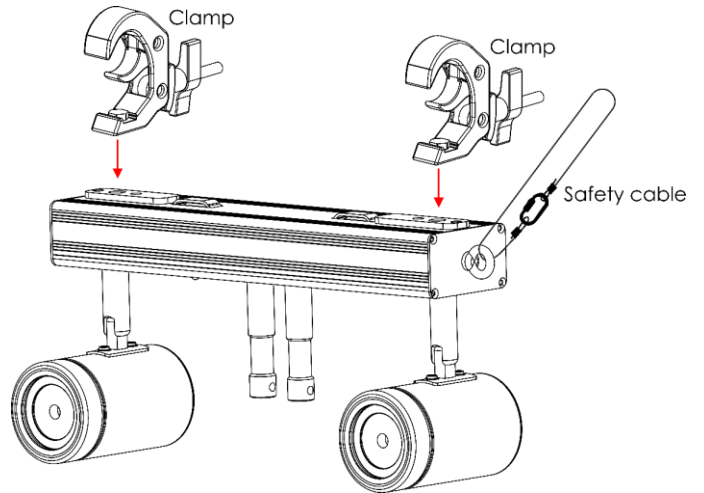


Fig. 06

Option 2: installation with the magnet on a metal surface

Attach the device to a flat metal surface, as shown in Fig. 07. The built-in **magnet (03)** will hold the device in position.

Note:

If the device is mounted overhead, it should always be secured with a safety cable or another secondary suspension. Make sure that the secondary suspension can hold 10 times the weight of the device. Put the safety cable through the **safety eye (05)**.

Do not mount the device only with the magnet.

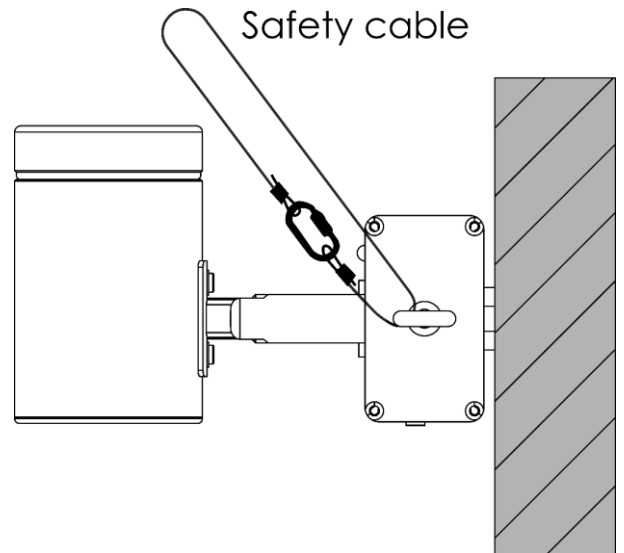


Fig. 07

Option 3: installation with a Velcro fastener

Use the Velcro snap fasteners to attach the device to the supporting structure, as shown in Fig. 08.

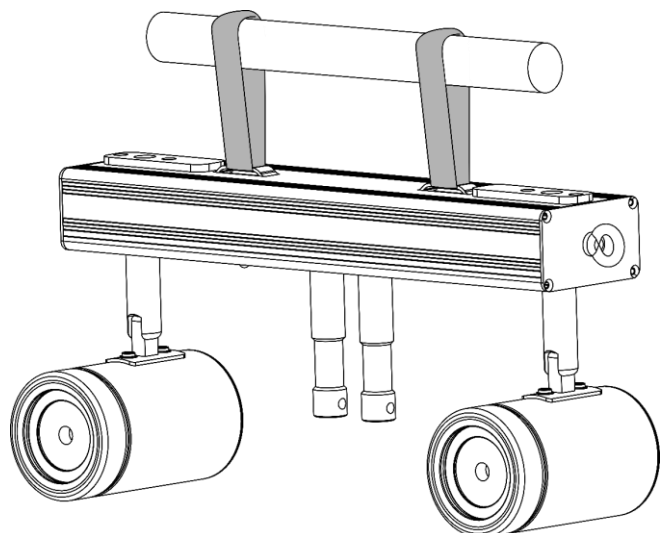


Fig. 08

Option 4: installation on the WENTEX® Pipes & Drapes system

- 01) Press and hold down the button on the WENTEX® telescopic upright (Fig. 09).
- 02) Put the **spigots (06)** into the openings on the WENTEX® telescopic upright (Fig. 09).
- 03) Release the button on the WENTEX® telescopic upright to secure the device (Fig. 10).

Note:

The WENTEX® Pipes & Drapes system is not included in the delivery. You can purchase it with any Highlite International dealer.

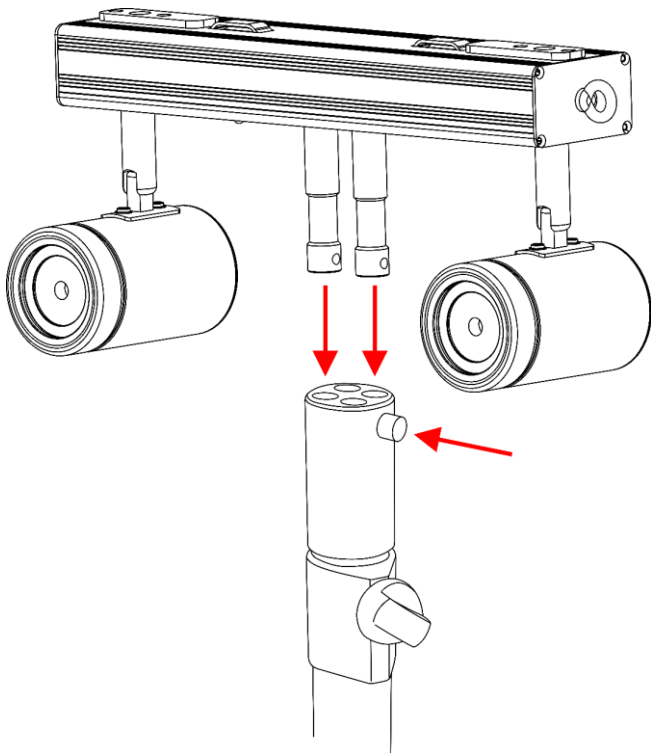


Fig. 09

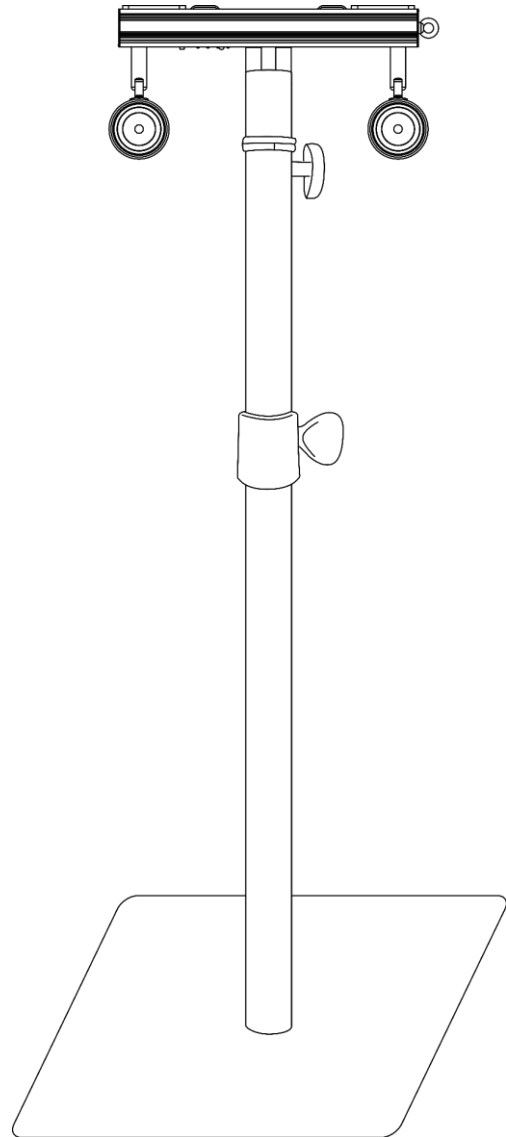


Fig. 10

4.5. Diffuser Installation

The Event Bar 2 CCT is delivered with 2 diffusers: 25°.

To install the diffuser, follow the steps below:

- 01) Put the diffuser on the lens.
- 02) Gently press the retainer spring as flat as possible and insert it against the diffuser (see Fig. 11).
- 03) Release the retainer spring. The retainer spring will now snap into position.

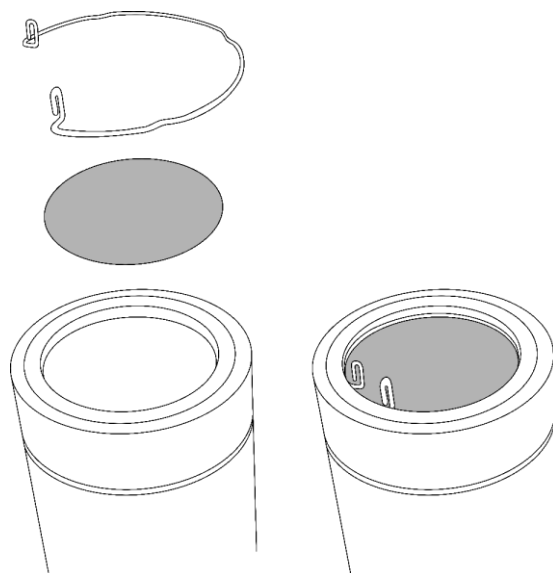


Fig. 11

4.6. Charging the Battery



DANGER
Risk of explosion caused by incorrect handling

This device contains a built-in rechargeable lithium-ion battery. The battery is not replaceable. The battery may explode or cause burns if it is crushed, disassembled or exposed to fire or high temperatures.

- Do not open the device and do not attempt to remove the built-in battery.

This device is delivered with an AC power adapter that is used to charge the battery. Before connecting the AC power adapter to the socket-outlet, make sure that the power supply matches the input voltage specified on the information label on the AC power adapter.

To charge the battery follow the steps below:

- 01) Turn off the device with the **power switch (07)**.
- 02) Connect the AC power adapter to the device. Use only the AC power adapter delivered with the device.
- 03) Connect the AC power adapter to the socket-outlet.

During charging, the **Charging LED indicator (09)** is red. When charging is completed, the **Charged LED indicator (08)** lights green.

- Charge the battery before using the device for the first time.
- Do not deep discharge the battery as this will shorten the battery's lifetime. Recharge the battery as early as possible. Do not let the light run until the battery is depleted.
- Make sure that the battery is charged to at least 50 % before storing the device.

It is recommended to charge the device at an ambient temperature between 0 °C and 35 °C.

If the device is charged in a carrying bag, leave the case open.

Refer to **3.4. Product Specifications** on page 19 for the charge time of the battery.

5. Setup

5.1. Stand-alone Setup

The Event Bar 2 CCT functions as a stand-alone device. It can be operated manually or with an infrared (IR) remote control. For more information about the control modes, refer to **6.3. Control Modes** on page 26.

6. Operation

6.1. Safety Instructions for Operation



Attention
This device must be used only for the purposes it is designed for.

This device is designed to be used as a battery LED bar suitable for stage lighting, corporate and private events. This device is not suitable for households and for general lighting.

Any other use, not mentioned under intended use, is regarded as non-intended and incorrect use.

6.2. Turning On/Off

The device has a power switch.

- Set the **power switch (07)** to ON position to turn on the device.
- Set the **power switch (07)** to OFF position to turn off the device.

Make sure that the device is turned off with the **power switch (07)** when the device is not in use. This will prevent the battery from depletion.

6.3. Control Modes

The Event Bar 2 CCT supports the following control modes:

- Maximum Output mode
- Economical mode

To operate the device:

- Press the control buttons on the device to adjust the operation mode, color temperature and the intensity. See **6.4. Manual Control** on page 26 for more information.
- Press the buttons on the remote control to adjust the operation mode, color temperature and the intensity. See **6.5. Remote Control** on page 27 for more information.

6.4. Manual Control

The device can be controlled via the **control buttons (11/12/13)**.

Press the **mode button (13)** to toggle the operation modes (Maximum Output mode/Economical mode).

Note:

When you turn off the device, the next time you turn it on, it will continue to operate in the previously selected operation mode.

6.4.1. Maximum Output Mode

In this operation mode the device operates at the maximum output level. You can set the color temperature.

Repeatedly press the **CCT button (11)** to select one of the 4 color temperature options: 3000 K, 4200 K, 5600 K or 6000 K.

6.4.2. Economical Mode

In this operation mode you can manually set the device's output level, in order to save the battery's lifespan, as well as the color temperature. The device's output level will drop every hour. First, it will drop to 85 %, then to 75 %, 60 %, etc.

- 01) Repeatedly press the **CCT button (11)** to select one of the 4 color temperature options: 3000 K, 4200 K, 5600 K or 6000 K.
- 02) Repeatedly press the **output button (12)** to select one of the 6 output level options: 30 %, 45 %, 60 %, 75 %, 85 % or 100 %. Observe the **output level LED indicators (14)** to select the desired option.

6.5. Remote Control

The device can be controlled with an IR remote control.



DANGER
Do not ingest battery, chemical burn hazard

The remote control contains a coin cell battery. If the coin cell battery is swallowed, it can cause severe internal burns in just 2 hours and can lead to death.

The battery is already installed in the remote control. It is protected against discharge by a transparent plastic foil. Remove the plastic foil before using the remote control for the first time.

When replacing the battery, make sure that the polarity is correct. Incorrect polarity may damage the remote control.

You can control several devices at the same time with the remote control. Make sure that you point the remote control to the **infrared sensor (15)** of the device or group of devices that you want to control, as shown in Fig. 12. If you point the remote control to the **infrared sensor (15)** of the device outside of the range of the sensor, the device will not respond to the remote control (Fig. 13).

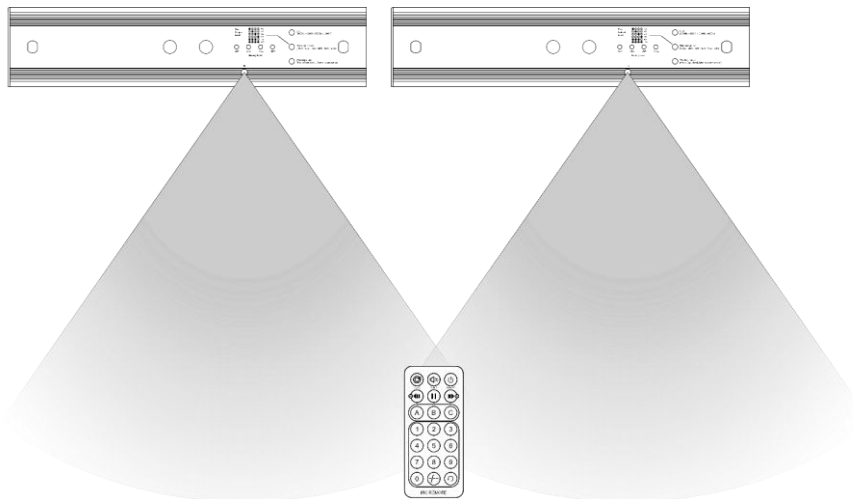


Fig. 12

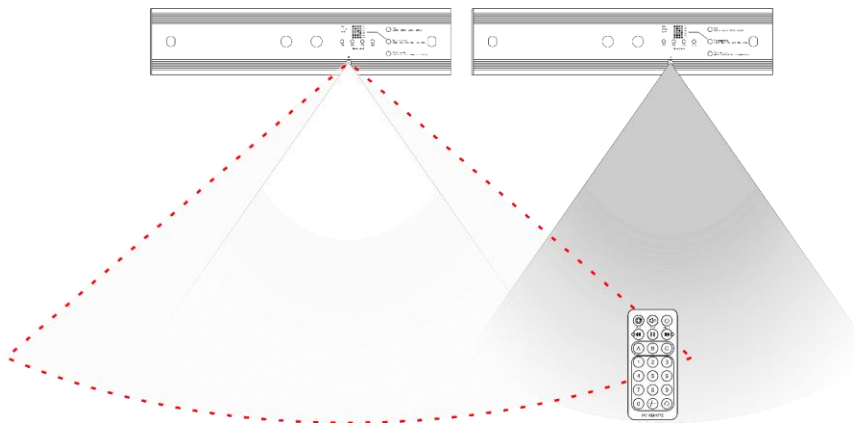
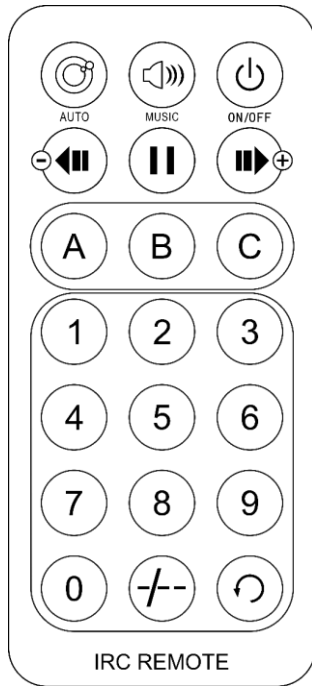


Fig. 13

To operate the device with the IR remote control, point the remote control to the **infrared sensor (15)**.

The remote control has the following functions:



Button	Name	Button	Name
	ON/OFF		A
	Auto		No function
	No function		No function
	Minus		No function
	No function		No function
	Plus		No function

Fig. 14

Press the **Auto button** to toggle the operation modes (Maximum Output mode/Economical mode).

Note:

When you turn off the device, the next time you turn it on, it will continue to operate in the previously selected operation mode.

6.5.1. Maximum Output Mode

In this operation mode the device operates at the maximum output level. You can set the color temperature.

Repeatedly press the **A button** to select one of the 4 color temperature options: 3000 K, 4200 K, 5600 K or 6000 K.

6.5.2. Economical Mode

In this operation mode you can manually set the device's output level, in order to save the battery's lifespan, as well as the color temperature. The device's output level will drop every hour. First, it will drop to 85 %, then to 75 %, 60 %, etc.

- 01) Repeatedly press the **A button** to select one of the 4 color temperature options: 3000 K, 4200 K, 5600 K or 6000 K.
- 02) Repeatedly press the **minus** or **plus button** to select one of the 6 output level options: 30 %, 45 %, 60 %, 75 %, 85 % or 100 %. Observe the **output level LED indicators (14)** to select the desired option.

7. Troubleshooting

This troubleshooting guide contains solutions to problems which can be carried out by an ordinary person. The device does not contain user-serviceable parts.

Unauthorized modifications to the device will render the warranty void. Such modifications may result in injuries and material damage.

Refer servicing to instructed or skilled persons. Contact your Highlite International dealer in case the solution is not described in the table.

Problem	Probable cause(s)	Solution
The device does not turn on	The battery is depleted	<ul style="list-style-type: none"> Recharge the battery. See 4.6. Charging the Battery on page 25
The device does not respond to the remote control	The remote control is outside of the range of the sensor of the infrared port	<ul style="list-style-type: none"> Walk closer to the device or change the angle at which you point the remote control to the device. See 6.5. Remote Control on page 27
	The battery of the remote control is depleted	<ul style="list-style-type: none"> Change the battery of the remote control

8. Maintenance

8.1. Preventive Maintenance



Attention

Before each use, examine the device visually for any defects.

Make sure that:

- All screws used for installing the device or parts of the device are tightly fastened and are not corroded.
- The safety devices are not damaged.
- There are no deformations on housings, fixations and installation points.
- The lens is not cracked or damaged.

8.1.1. Basic Cleaning Instructions

The external lens of the device must be cleaned periodically in order to optimize the light output. The cleaning schedule depends on the conditions at the site where the device is installed. When smoke or fog machines are used at the site, the device will need more frequent cleaning. On the other hand, if the device is installed in a well-ventilated area, it will need less frequent cleaning. To establish a cleaning schedule, examine the device at regular intervals during the first 100 hours of operation.

To clean the device, follow the steps below:

- 01) Switch off the device.
- 02) Remove the dust collected on the external surface with a soft brush.
- 03) Clean the lens with a damp cloth.
- 04) Dry the lens carefully with a lint-free cloth.



Attention

- Do not immerse the device in liquid.
- Do not use alcohol or solvents.

8.2. Corrective Maintenance

The device does not contain user-serviceable parts. Do not open the device and do not modify the device.

Refer repairs and servicing to instructed or skilled persons. Contact your Highlite International dealer for more information.

9. Deinstallation, Transportation and Storage

9.1. Instructions for Deinstallation

If trussing systems are used, deinstallation must be carried out only by instructed or skilled persons.

- Always observe the national and site-specific regulations during deinstallation and derigging of the device.
- Wear personal protective equipment in compliance with the national and site-specific regulations.

9.2. Instructions for Transportation

This device contains a rechargeable (secondary) lithium-ion battery. Lithium-ion batteries contained in equipment fall under the category of dangerous goods for transportation.

Make sure that you are in compliance with all applicable transportation regulations when you transport this device. See **3.4. Product Specifications** on page 19 for the specifications of the battery.

Use the original packaging to transport the device or other suitable packaging that complies with the regulations for transportation of secondary lithium-ion batteries.

9.3. Storage

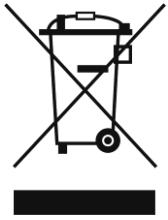
This device contains a rechargeable (secondary) lithium-ion battery. The battery is not replaceable. The battery may explode or cause burns if it is crushed, disassembled or exposed to fire or high temperatures.

- Store the device in a dry place, at temperatures between 5 °C and 20 °C. Lithium-ion batteries self-discharge during storage. Temperatures above 20 °C speed up the self-discharging process.
- Do not store the device with depleted battery. Make sure that the battery is charged to at least 50 % before storing the device. See **4.6. Charging the Battery** on page 25.
- Clean the device before storing. Follow the cleaning instructions in chapter **8.1.1. Basic Cleaning Instructions** on page 29.
- Store the device in the original packaging, if possible.

10. Disposal

This device contains a lithium-ion battery. Do not dispose of with the household waste.

Correct disposal of this product



Waste Electrical and Electronic Equipment

This symbol on the product, its packaging or documents indicates that the product shall not be treated as household waste. Dispose of this product by handing it to the respective collection point for recycling of electrical and electronic equipment. This is to avoid environmental damage or personal injury due to uncontrolled waste disposal. For more detailed information about recycling of this product contact the local authorities or the authorized dealer.

11. Approval



Check the respective product page on the website of Highlite International (www.highlite.com) for an available declaration of conformity.



©2021 Showtec