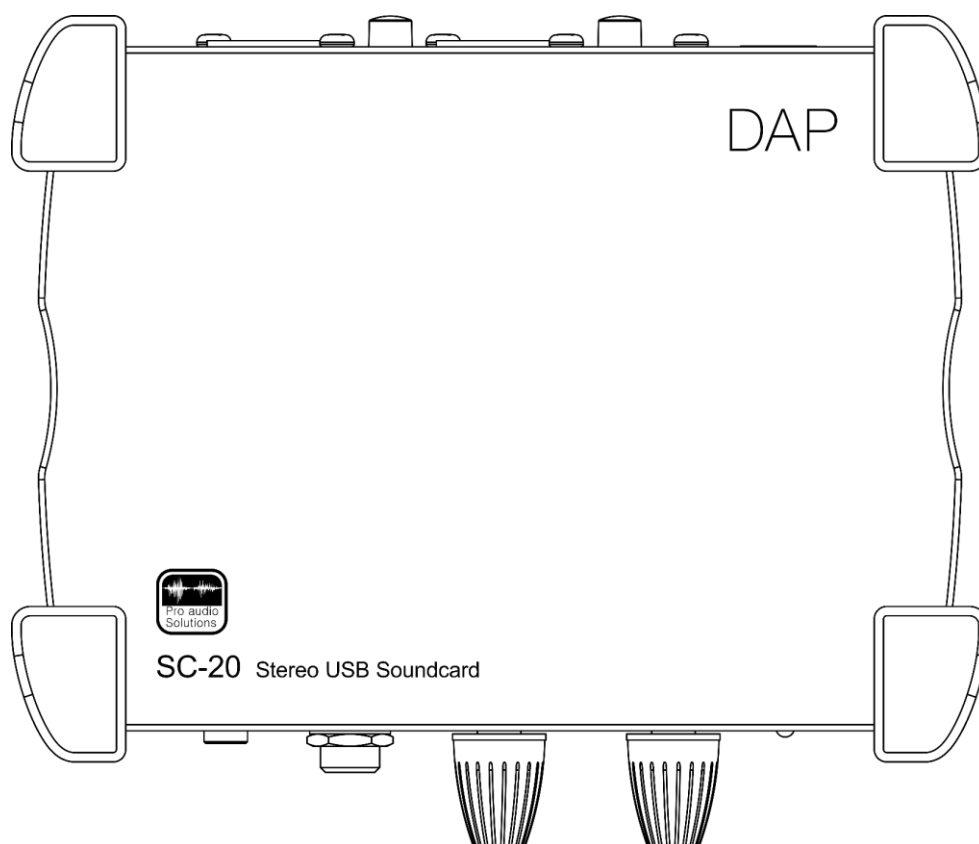


DAP

USER MANUAL



ENGLISH

SC-20 Stereo USB Soundcard

V1

Product code: D1529

Preface

Thank you for purchasing this DAP product.

The purpose of this user manual is to provide instructions for the correct and safe use of this product.

Keep the user manual for future reference as it is an integral part of the product. The user manual shall be stored at an easily accessible location.

This user manual contains information concerning:

- Safety instructions
- Installation and operation of the device
- Intended and non-intended use of the device
- Maintenance procedures
- Troubleshooting
- Transport, storage and disposal of the device

Non-observance of the instructions in this user manual may result in serious injuries and damage of property.

©2022 DAP. All rights reserved.

No part of this document may be copied, published or otherwise reproduced without the prior written consent of Highlite International.

Design and product specifications are subject to change without prior notice.

For the latest version of this document or other language versions, please visit our website www.highlite.com or contact us at service@highlite.com.

Highlite International and its authorized service providers are not liable for any injury, damage, direct or indirect loss, consequential or economic loss or any other loss arising from the use of, or inability to use or reliance on the information contained in this document.

Table of contents

1. Introduction	3
1.1. Before Using the Product	3
1.2. Intended Use	3
1.3. Product Lifespan.....	3
1.4. Text Conventions	3
1.5. Symbols and Signal Words.....	4
1.6. Symbols on the Information Label	4
2. Safety	5
2.1. Warnings and Safety Instructions	5
2.2. Requirements for the User.....	6
3. Description of the Device	7
3.1. Front View	7
3.2. Back View	7
3.3. Product Specifications	8
3.4. Dimensions.....	8
4. Installation	9
4.1. Ambient Conditions	9
4.2. Usage	9
4.3. Installation of the Device	9
5. Setup and Operation	9
5.1. Safety Instructions for Operation.....	9
5.2. Connecting External Devices	9
5.3. Connecting Headphones	9
5.4. Setting Volume	9
5.5. Setting Ground Lift.....	9
5.6. Setup Example	10
5.7. Start-up.....	11
6. Troubleshooting	11
7. Maintenance	12
7.1. Preventive Maintenance	12
7.1.1. Basic Cleaning Instructions	12
7.2. Corrective Maintenance	12
8. Deinstallation, Transportation and Storage	12
9. Disposal	13
10. Approval	13

1. Introduction

1.1. Before Using the Product



Important

Read and follow the instructions in this user manual before installing, operating or servicing this product.

The manufacturer will not accept liability for any resulting damages caused by the non-observance of this manual.

After unpacking, check the contents of the box. If any parts are missing or damaged, contact your Highlite International dealer.

Your shipment includes:

- DAP SC-20 Stereo USB Soundcard
- USB A to USB B cable (cable length: 1,3 m)
- User manual

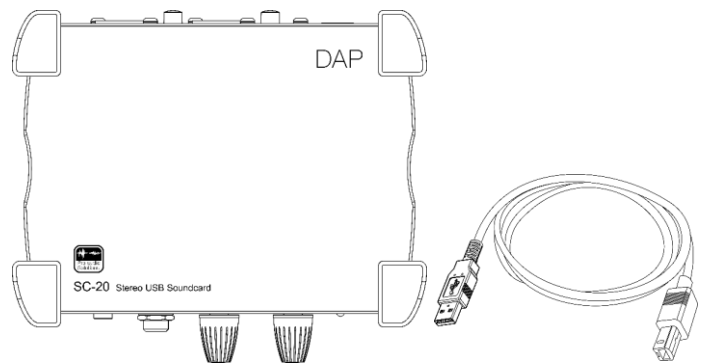


Fig. 01

1.2. Intended Use

This device is intended for use as a 2-channel USB-Audio interface. It is suitable only for indoor installation. Any other use, not mentioned under intended use, is regarded as non-intended and incorrect use.

1.3. Product Lifespan

This device is not designed for permanent operation. Turn the device off when the device is not in operation. This will reduce the wear and will improve the device's lifespan.

1.4. Text Conventions

Throughout the user manual the following text conventions are used:

- Buttons: All buttons are in bold lettering, for example "Press the **UP/DOWN** buttons"
- References: References to chapters and parts of the device are in bold lettering, for example: "Refer to **2. Safety**", "turn the **adjustment screw (02)**"
- 0–255: Defines a range of values
- Notes: **Note:** (in bold lettering) is followed by useful information or tips

1.5. Symbols and Signal Words

Safety notes and warnings are indicated throughout the user manual by safety signs.

Always follow the instructions provided in this user manual.



DANGER

Indicates an imminently hazardous situation which, if not avoided, will result in death or serious injury.



WARNING

Indicates an imminently hazardous situation which, if not avoided, could result in death or serious injury.



CAUTION

Indicates a potentially hazardous situation, which, if not avoided, may result in minor or moderate injury.



Attention

Indicates important information for the correct operation and use of the product.



Important

Read and observe the instructions in this document.



Provides important information about the disposal of this product.



1.6. Symbols on the Information Label

This product is provided with an information label. The information label is located on the bottom plate of the device.

The information label contains the following symbols:



This device is designed for indoor use.



This device shall not be treated as household waste.



2. Safety



Important

Read and follow the instructions in this user manual before installing, operating or servicing this product.

The manufacturer will not accept liability for any resulting damages caused by the non-observance of this manual.

2.1. Warnings and Safety Instructions



DANGER

Danger for children

For adult use only. The device must be installed beyond the reach of children.

- Do not leave various parts of the packaging (plastic bags, polystyrene foam, nails, etc.) within children's reach. Packaging material is a potential source of danger for children.



Attention

General safety

- Do not switch the device on and off in short intervals. This decreases the device's life.
- Do not shake the device. Avoid brute force when installing or operating the device.
- If the device is exposed to extreme temperature variations (e.g. after transportation), do not switch it on immediately. Let the device reach room temperature before switching it on, otherwise it may be damaged by the formed condensation.
- If the device fails to work properly, discontinue the use immediately.



Attention

This device shall be used only for the purposes it is designed for.

This device is intended for use as a 2-channel USB-Audio interface. It is suitable only for indoor installation. Any incorrect use may lead to hazardous situations and result in injuries and material damage.

This device does not contain user-serviceable parts. Unauthorized modifications to the device will render the warranty void. Such modifications may result in injuries and material damage.



Attention

Do not expose the device to conditions that exceed the rated IP class conditions.

This device is IP20 rated. IP (Ingress Protection) 20 class provides protection against solid objects greater than 12 mm, such as fingers, and no protection against harmful ingress of water.

2.2. Requirements for the User

This product may be used by ordinary persons. Maintenance and installation may be carried by ordinary persons. Service shall be carried out only by instructed or skilled persons. Contact your Highlite International dealer for more information.

Instructed persons have been instructed and trained by a skilled person, or are supervised by a skilled person, for specific tasks and work activities associated with the service of this product, so that they can identify risks and take precautions to avoid them.

Skilled persons have training or experience, which enables them to recognize risks and to avoid hazards associated with the service of this product.

Ordinary persons are all persons other than instructed persons and skilled persons. Ordinary persons include not only users of the product but also any other persons that may have access to the device or who may be in the vicinity of the device.

3. Description of the Device

The DAP SC-20 Stereo USB Soundcard is a 2-channel USB-Audio interface with XLR and (mini)jack (3,5 mm and 6,3 mm) headphone output, suitable for sending of stereo PC/MAC audio signals to a mixer, speaker set or other audio device. The device is powered via USB and does not need any additional power supply or driver installation. You can adjust the headphones and XLR output volume. The device has a built-in, low-noise preamp for a clear sound.

3.1. Front View

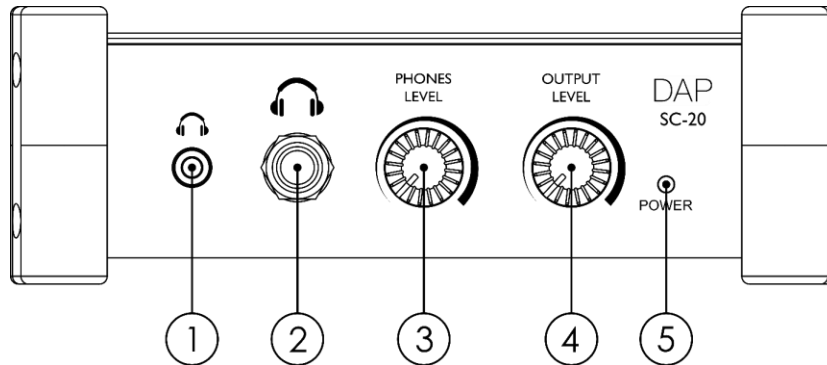


Fig. 02

- 01) 3,5 mm TRS balanced mini jack headphones IN
- 02) 6,3 mm TS balanced jack headphones IN
- 03) Headphones volume control
- 04) Output volume control
- 05) LED power indicator (Green)

3.2. Back View

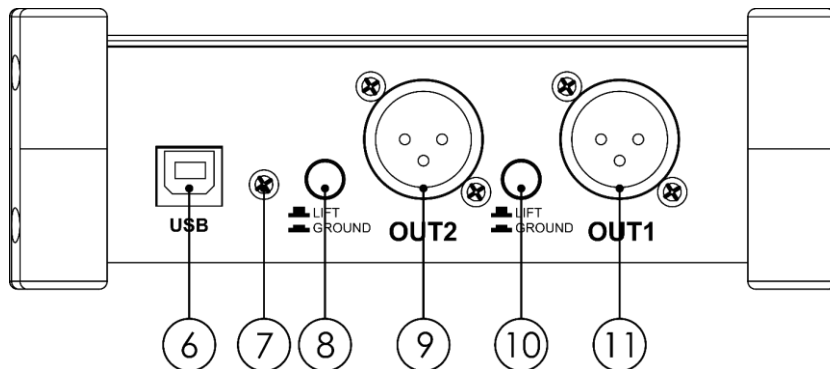


Fig. 03

- 06) USB B connector IN
- 07) Ground/earth screw
- 08) Lift/Ground button (output 2)
- 09) 3-pin XLR line level connector OUT (output 2)
- 10) Lift/Ground button (output 1)
- 11) 3-pin XLR line level connector OUT (output 1)

3.3. Product Specifications

Model:	DAP SC-20 Stereo USB Soundcard
Electrical:	
Input voltage:	5 V DC
Power consumption:	1 W
Physical:	
Dimensions:	155 x 135 x 53 mm (LxWxH)
Weight:	0,67 kg
Audio specifications:	
Frequency response:	20 Hz – 20 kHz
Software specifications:	
Supported operating systems:	macOS, Windows
Connections:	
Power connection:	USB B connector
Data connection:	USB B connector
Audio connections:	2 x 3-pin XLR connector OUT
Headphones outputs:	1 x TRS balanced mini jack 3,5 mm 1 x TS balanced jack 6,3 mm
Construction:	
Housing:	Aluminum, Iron
Color:	Black
IP rating:	IP20

3.4. Dimensions

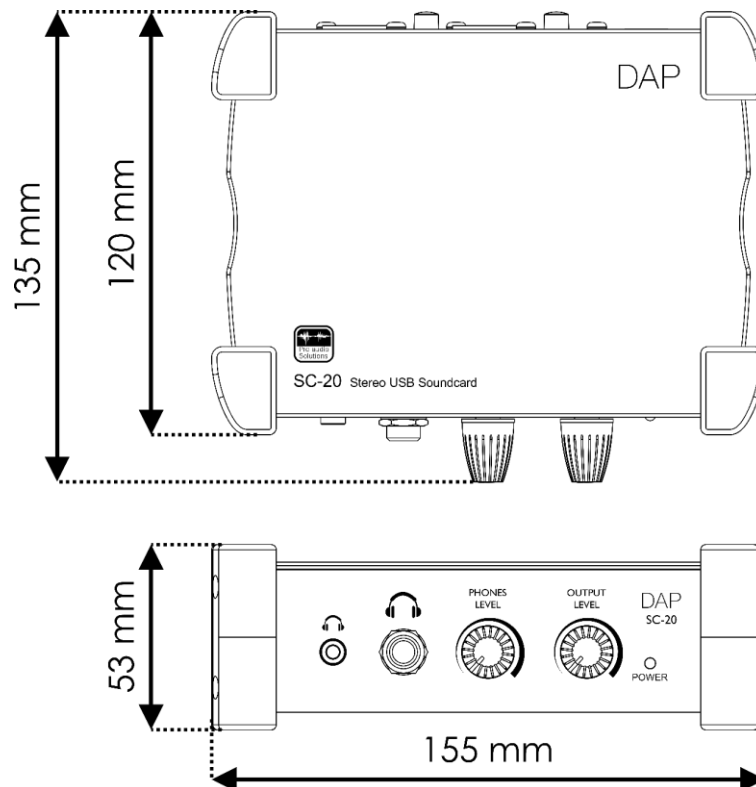


Fig. 04

4. Installation

4.1. Ambient Conditions

The device can be used only indoors.

4.2. Usage

The device can be positioned on a flat surface.

4.3. Installation of the Device

The device is delivered with a USB A to USB B cable.

Use the supplied USB cable to connect the USB port on the PC/laptop to the **USB input connector (06)** on the device. The **LED power indicator (05)** will turn green.

Your PC/laptop will automatically install the necessary drivers.

5. Setup and Operation

5.1. Safety Instructions for Operation



Attention

This device must be used only for the purposes it is designed for.

This device is intended for use as a 2-channel USB-Audio interface. It is suitable only for indoor installation. It is not suitable for households.

Any other use, not mentioned under intended use, is regarded as non-intended and incorrect use.

5.2. Connecting External Devices

Use 3-pin XLR cables to connect line level devices (e.g. speakers) to both **3-pin XLR output connectors (09/11)**.

5.3. Connecting Headphones

Connect headphones to the **mini jack input connector (01)** or the **jack input connector (02)**.

5.4. Setting Volume

Turn the **headphones volume control (03)** to the left/right to decrease/increase the headphones volume.

Turn the **output volume control (04)** to the left/right to decrease/increase the output volume.

5.5. Setting Ground Lift

Use ground lift to eliminate hum and buzz. Use this function to interrupt ground loops and stop current flow through the cable shield between devices.

Press the **Lift/Ground buttons (08/10)** and set them to LIFT or GROUND. Check which of the 2 settings provides better sound quality in your situation.

The switches disconnect pins # 1 on the **3-pin XLR output connectors (09/11)** (attached to the braid or foil shield in the cables), which function as the ground points.

5.6. Setup Example

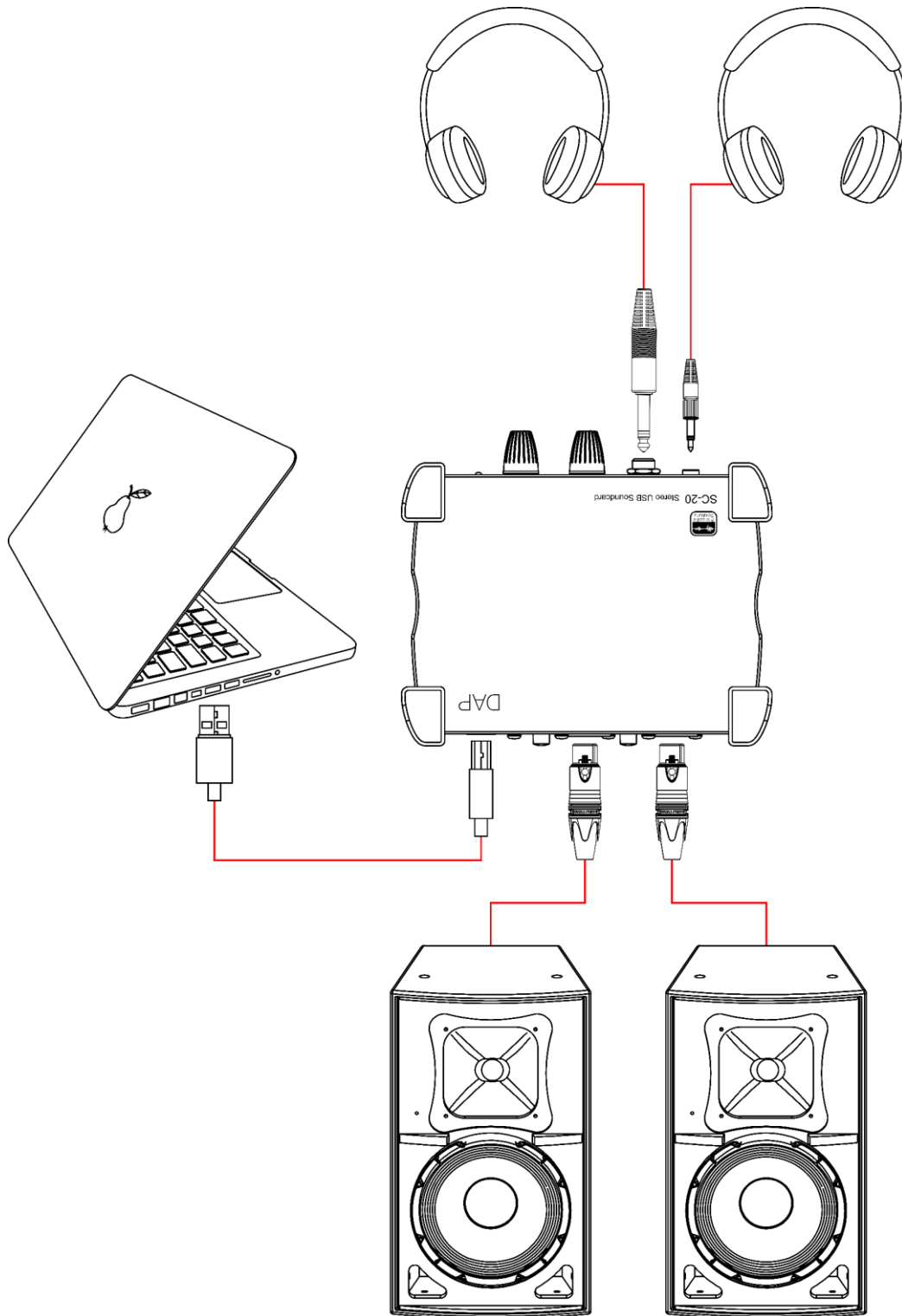


Fig. 05

5.7. Start-up

To operate the device:

- 01) Connect the device to the PC/laptop. See **4.3. Installation of the Device** on page 9 for more information. See **5.6. Setup Example** on page 10.
- 02) Connect external devices (e.g. speakers). See the **5.2. Connecting External Devices** on page 9 for more information. See **5.6. Setup Example** on page 10.
- 03) Connect headphones. See the **5.3. Connecting Headphones** on page 9 for more information. See **5.6. Setup Example** on page 10.
- 04) Turn the external devices on.
- 05) Turn the PC/laptop on.
- 06) Start the desired audio software/audio source on your PC/laptop.
- 07) Set the volume of the headphones and of the output. See **5.4. Setting Volume** on page 9 for more information.
- 08) Set ground lift. See **5.5. Setting Ground Lift** on page 9 for more information.



Attention

This device may cause faster battery depletion in laptops.

When operating this device with a laptop, it is recommended that the laptop be connected to an appropriate power supply with its battery charger.

6. Troubleshooting

This troubleshooting guide contains solutions to problems which can be carried out by an ordinary person. The device does not contain user-serviceable parts.

Unauthorized modifications to the device will render the warranty void. Such modifications may result in injuries and material damage.

Refer servicing to instructed or skilled persons. Contact your Highlite International dealer in case the solution is not described in the table.

Problem	Probable cause(s)	Solution
The device does not function at all and/or the device does not appear on the list of available devices on the PC screen)	The device is not properly connected to the PC	<ul style="list-style-type: none"> • Check if the USB cable is properly connected to the PC • Replace the USB cable
No sound	Bad connections	<ul style="list-style-type: none"> • Check if the connections between the devices are correct • Check if headphones are connected to the device

7. Maintenance

7.1. Preventive Maintenance



Attention

Before use, examine the device visually for any defects.

7.1.1. Basic Cleaning Instructions

To clean the device, follow the steps below:

- 01) Switch the device off.
- 02) Clean the device with a soft, lint-free cloth.



Attention

- Do not immerse the device in liquid.
- Do not use alcohol or solvents.

7.2. Corrective Maintenance

The device does not contain user-serviceable parts. Do not open the device and do not modify the device.

Refer repairs and servicing to instructed or skilled persons. Contact your Highlite International dealer for more information.

8. Deinstallation, Transportation and Storage

- Use the original packaging to transport the device, if possible.
- Clean the device before storing. Follow the cleaning instructions in chapter **7.1.1. Basic Cleaning Instructions** on page 12.
- Store the device in the original packaging, if possible.

9. Disposal

Correct disposal of this product



Waste Electrical and Electronic Equipment

This symbol on the product, its packaging or documents indicates that the product shall not be treated as household waste. Dispose of this product by handing it to the respective collection point for recycling of electrical and electronic equipment. This is to avoid environmental damage or personal injury due to uncontrolled waste disposal. For more detailed information about recycling of this product contact the local authorities or the authorized dealer.

10. Approval



Check the respective product page on the website of Highlite International (www.highlite.com) for an available declaration of conformity.

DAP

©2022 DAP