



G-1 Wash

Color LED Moving Head



Description

The G-1 Wash moving head is the ideal companion for the G-1 Beam, and is designed for any type of outdoor event and smaller venues in need of small moving wash lights with high output, uniform colors from a distance and color calibration to match other SGM fixtures. The G-1 Wash offers high contrast levels and extreme brightness in a small physical footprint at a low power consumption. The G-1 Wash can be ordered with or without batteries, installed with a remote base, or without any base at all.

Features and benefits

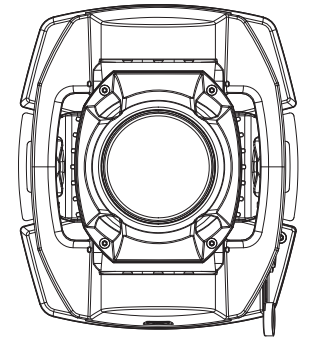
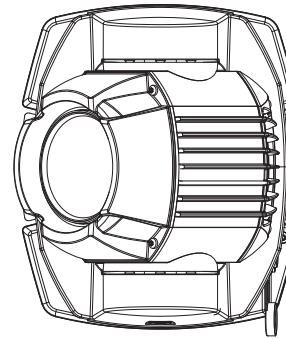
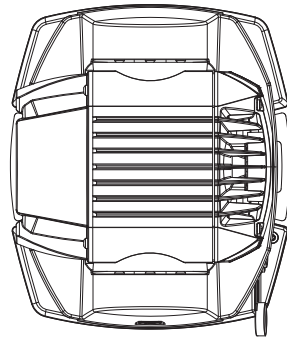
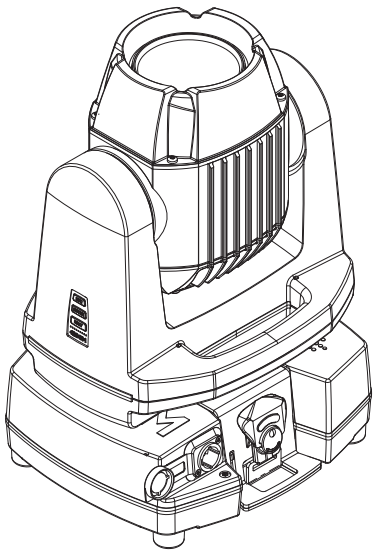
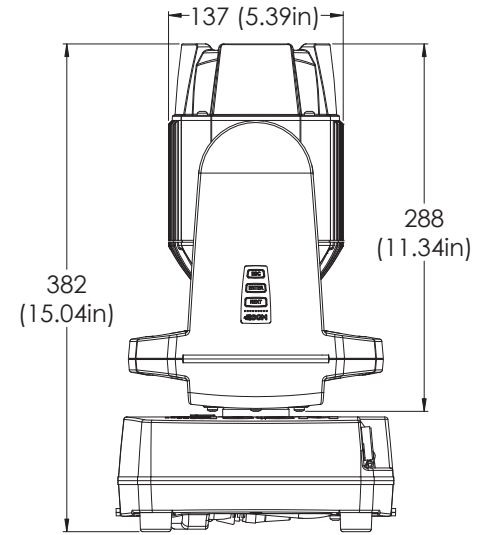
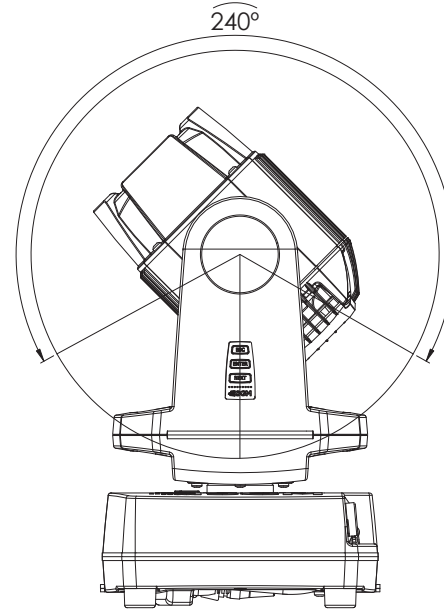
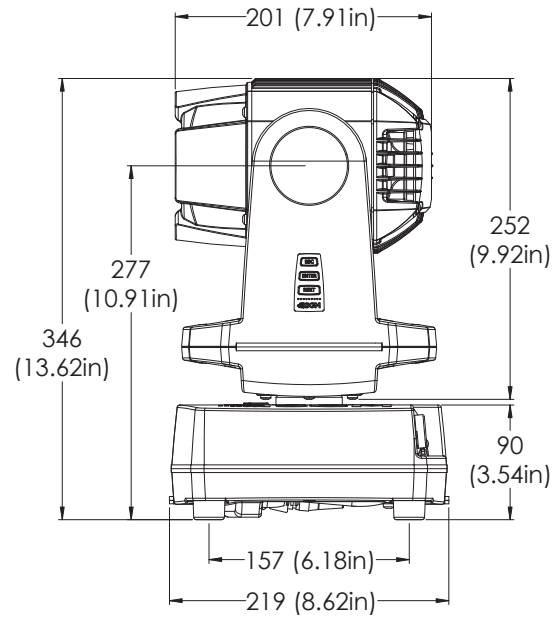
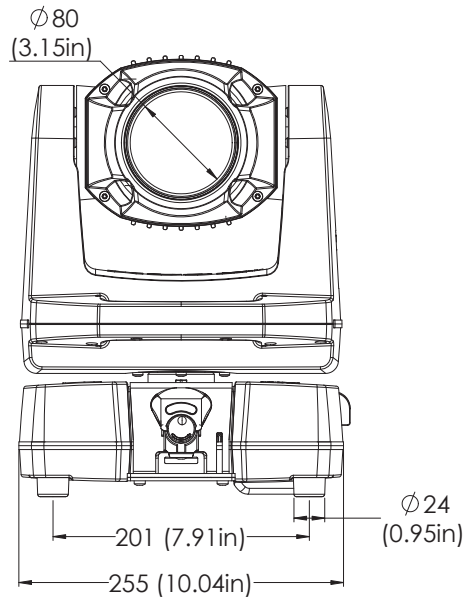
- ✓ Battery-driven IP65 color LED moving head
- ✓ Continuous pan movement, built-in macro effects
- ✓ Extremely bright with full color mixing
- ✓ Practically maintenance-free and silent performance
- ✓ 19 RGBW LEDs and a 8.5° beam angle
- ✓ DMX, RDM and 100% wireless (power and control)
- ✓ Ultra-high-speed strobe effect
- ✓ Flicker-free / Programmable scenes

Certifications & classifications

IP65

RoHS





Specification

Optical Data	LED expected lifetime	50,000 hours
	Lens	8.5°
	Lens angle	8.5 °
	Lightsource	19 LEDs total, 4 Red, 4 Green, 4 Blue, 7 White (5.700K)
Photometric	Beam angle(s)	8° (with 8.5°)
	Color temperature range	2000K - 10000K
	Efficacy	38 lm/W
	Lux @ 10m	549 lux
	Lux @ 3m	5078 lux
	Lux @ 5m	2194 lux
	Maximum Beam Angle	8 °
	Maximum Field Angle	8.5 °
Physical	Color options	Black - RAL 9004 Custom color - Any RAL White - RAL 9010
	IP class	IP65
	Material	Aluminium PC/ASA Plastic Rubber Steel
	Net dimensions	219 x 382 x 255 mm
	Net dimensions inches	8.6 x 15.1 x 10 inches
	Net weight	8.9 kg (19.6 lbs)
Features	Built-in macro effects	50 macros
	Dimming	Electronic
	Pan	Endless
	Pan modes	360° 360° Shortest path 540° Continues CCW Continues CW Endless
	Strobe	Ultra-high-speed strobe effects
	Tilt	240°
Electrical	AC power, max.	90 - 264V 50/60Hz
	AC Power, nominal	100 - 240V 50/60Hz

	DC power, nominal	24 VDC
	Electrical Protection	Overload protection with automatic recover
	Max Inrush Current 230VAC	35 A
	Max power consumption	55 W
	Power Supply Unit	Auto-ranging electronic switch-mode
	Standby power consumption	7 W
	Typical power consumption	40 W
Programming and Control	16-bit control	Dimmer, pan and tilt
	Cabled DMX	5 pin XLR input/output
	DMX channels	13
	DMX modes	1
	Protocol	CRMX, W-DMX™ G2, W-DMX™ G3, W-DMX™ G4, W-DMX™ G4S USITT DMX512A RDM ANSI E1.20
	Setting and addressing	Control panel OLED graphical display / 4 buttons RDM ANSI E1.20 Standalone mode
	Standalone mode	8 Internal Standalone Programs 9 Internal Pan/Tilt Presets
	Wireless DMX	Lumen Radio with RDM
Connections	DMX data in/out	IP65 XLR 5-pin cable, 0,2 m (7.8 in) IP65 XLR 5-pin connector, Male
	Power	Power input connector
Installation	Mounting point	2 quarter-turn locking points for one Omega bracket
	Orientation	Any
	Rigging possibilities	Hanging (Omega Bracket included) or ceiling/wall mount (optional)
	Safety features	2 attachment points for safety wire Minimum distance to combustible materials: 0.3 meter (11 in).
Thermal	Cooling	Passive
	Humidity (max.)	98 %
	Temperature range, Operating	-40°C to 50°C
	Temperature range, Start-up	-20°C to 50°C
	Temperature range, Storage	-20°C to 25°C
	Thermal Protection	Automatic overtemperature protection

Included items	Included items	2 m power cable 1 Omega bracket with quarter-turn fasteners Safety instructions and installation quick guide
Battery	Battery capacity (non-stop)	6 - 8 hours
	Battery capacity (typical use)	12 - 14
	Battery charge time up to 100%	12 - 16 hours
	Battery charge time up to 75%	8 - 12 hours
	Battery Option	YES
	Battery status	Battery level indicator
	Battery type	Lithium-Ion battery
	Memory effect	85% battery capacity after 500 full charge cycles
Conforms To	CE - 2014/30/EU: EMC Directive	EN 55103-1 EN 55103-2 EN 55015 EN 61547 EN 61000-3-2 EN 61000-3-3
	CE - 2014/35/EU: Low Voltage Directive	EN 60598-1 EN 60598-2-17 EN 62471 EN 60529
	RoHS2 Directive	2011/65/EU
	UL	UL Std. 1573

NOTES:

Due to continuous improvements and innovations, specifications may change without notice.

LEDs' expected lifetime provided by manufacturer and obtained under manufacturer's test conditions.

Zoom range defined as a minimum beam angle to a maximum field angle.

Photometric measurements obtained with Goniometer Scan / SGM Illumination Lab 1.6.0.0.

Lumen output in pixel products is calculated.

Ordering information

Qty	Product name	Item number
<input type="checkbox"/>	G-1 Wash, Std, CU, (excl. Batt)	80100321
<input type="checkbox"/>	G-1 Wash, Std, CU, (incl. 3 pcs. Batt)	80100323
<input type="checkbox"/>	G-1 Wash, Std, CU, Ceiling mount	80100327
<input type="checkbox"/>	G-1 Wash, Std, BL, (excl. Batt)	80100301
<input type="checkbox"/>	G-1 Wash, Std, BL, (incl. 3 pcs Batt)	80100303
<input type="checkbox"/>	G-1 Wash, Std, WH, (excl. Batt)	80100311
<input type="checkbox"/>	G-1 Wash, Std, BL, Ceiling mount	80100307
<input type="checkbox"/>	G-1 Wash, Std, WH, Ceiling mount	80100317
<input type="checkbox"/>	G-1 Wash, Std, WH, (incl. 3 pcs. Batt)	80100313
<input type="checkbox"/>		

Accessories	Item number	
<input type="checkbox"/> Omega Bracket with 1/4-turn fasteners	83060602	
<input type="checkbox"/> Flight Case for 4 pcs of G-1 Wash incl. charger	82051007	
<input type="checkbox"/> Flight Case for 4 pcs G-1 Wash	82051006	
<input type="checkbox"/> Battery, Nominal: 21.6 V - Nominal: 3350 mAh	83061709	
<input type="checkbox"/> Battery, Nominal: 21.6V - Nominal: 3350 mAh (2 pcs)	83061710	
<input type="checkbox"/> G-1 Battery Bracket w. screws	40000002	
<input type="checkbox"/> Flight Case charger cable assembly kit (4 pcs)	83062044	
<input type="checkbox"/> Power cable with IP connector	07860275	
<input type="checkbox"/> SGM USB uploader cable	83062011	
<input type="checkbox"/> Vacuum Test Kit	83061136	
<input type="checkbox"/> A-4	80070217	
<input type="checkbox"/> RDM Addressing Tool		
<input type="checkbox"/>		



Headquarter +45 70 20 74 00

Mail info@sgmlight.com

Website sgmlight.com