

SPEC SHEET

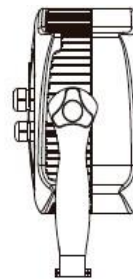
12x 15W RGBW LED par

The **B PAR180RGBW V2** is a very powerful par with a 12x 15W LED engine in a 25° angle. It features high-saturated colors and beautiful dimming.

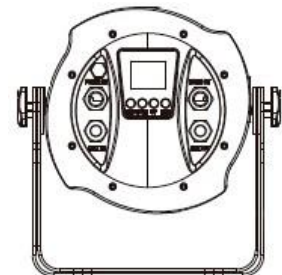


Physical

Dimensions (WxHxD)	280 x 288 x 143 mm
Packing dimensions (WxHxD)	280 x 305 x 280 mm
Dimensions outer carton (4 pcs) (WxHxD)	575 x 320 x 575 mm
Nett weight	4.7 kg
Gross weight	5.7 kg
Gross weight (4 pcs)	24.5 kg



142.56 mm



288.28 mm

280.32 mm

Mounting options

Hanging	1x Omega bracket with 2x 1/4 turn quick lock fastener 1x M12 hole in the middle of the Omega bracket
Standing	Double bracket; adjustable opening angle
2nd suspension / safety wire	1x Moulded eye on the housing to pass a safety wire or carabinier

Control

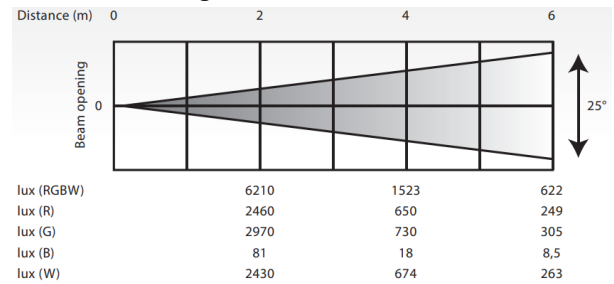
Menu control via TFT display with 4 buttons	In/Link	XLR 5 pin
Control	DMX512, manual, master/slave	DMX mode
Dimmer mode	0 - 100% - 8bit	4/6/8 channels

SPEC SHEET

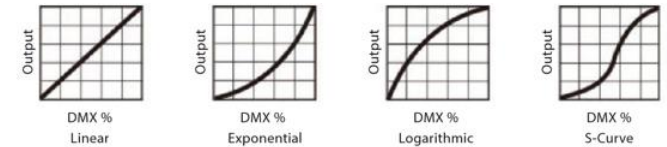
Optical

LED sources	12x 15W
Beam angle	25°
Light output RGBW	6210 lux @ 2m 1523 lux @ 4m 622 lux @ 6m
Strobe	0 – 20Hz
Dimming curves	4
Colors	Red, Green, Blue + White 8 but color mix

Photometrics Diagram



Dimmer Curves

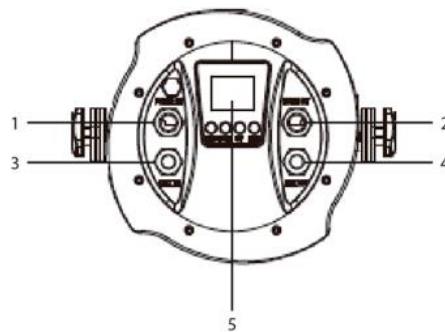


Electrical

Fixture rated power	165W	Input power	100 – 240V 50/60Hz – Auto switching power supply
LED engine	12x 15W RGBW 4 in 1	In/Link	PowerCONTRUE1 – max link current 10A
Refresh rate	>400 Hz		

Connectivity

- 1 Power input
- 2 Power output
- 3 DMX input
- 4 DMX output
- 5 Color display



Accessories

- Included**
- 1x Powercable with bare ends
 - 1x Omega bracket with 2x ¼ turn quick-lock fastners
 - 1x Tophat

Environmental

IP Rating	IP65
Cooling	Electronic heat control
Humidity extractor	