

# Robin iPointe65

## Photometric Diagram

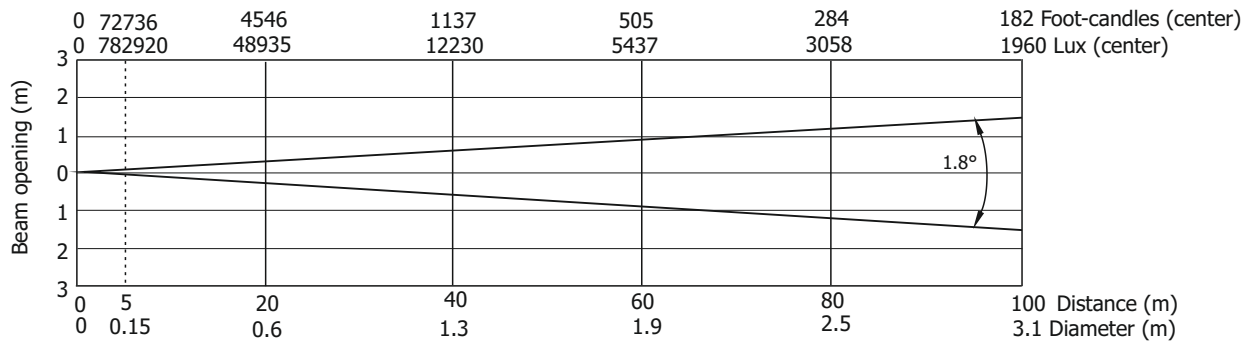
Lamp: Osram Sirius HRI 310 W RO

### Lamp in Standard mode

#### Beam Application

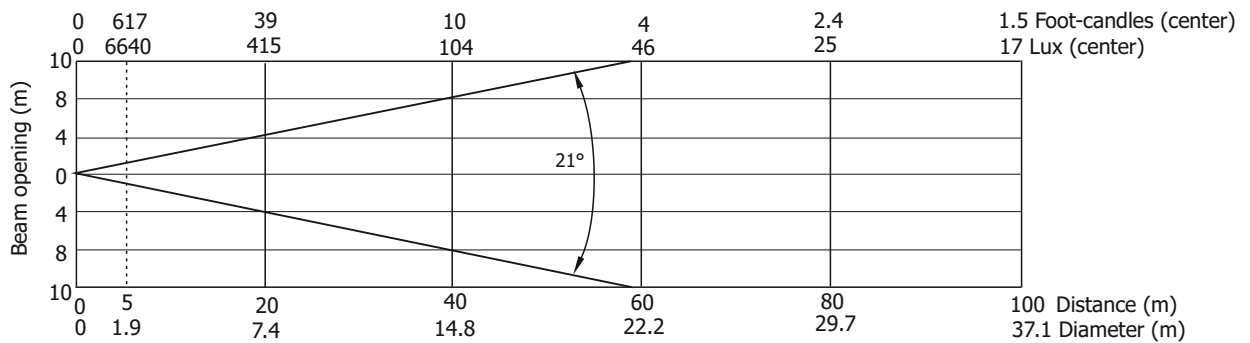
Min. Zoom (Min. Hot-Spot, Ratio 3.1:1)

Total Output: 7372 lumens



Max. Zoom (Min. Hot-Spot, Ratio 3.6:1)

Total Output: 7477 lumens



Fixture setting  
CRI Setting: Standard  
Close Proximity Mode Off  
Hot-Spot control: 1 DMX  
Lamp mode: standard

# Robin iPointe65

## Photometric Diagram

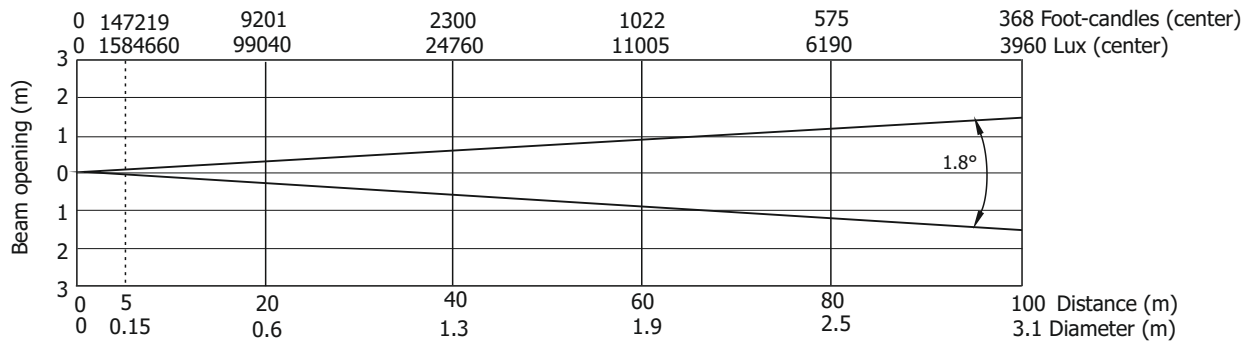
Lamp: Osram Sirius HRI 310 W RO

### Lamp in Standard mode

#### Beam Application

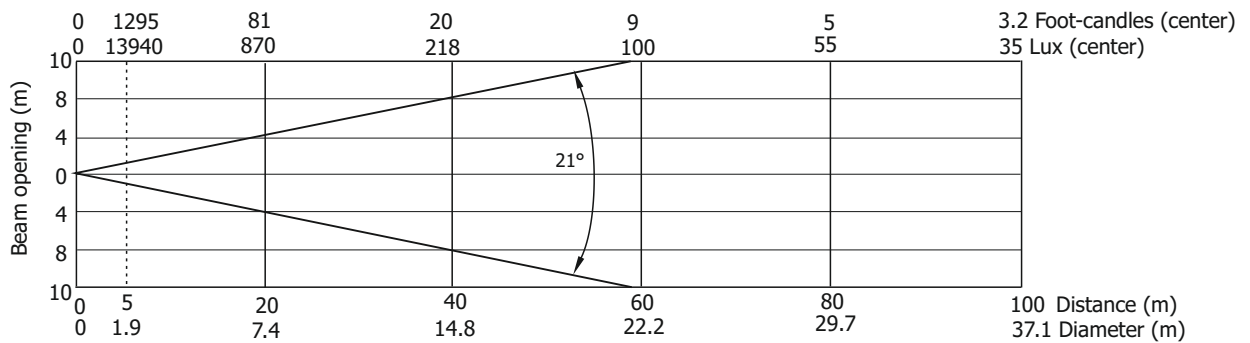
Min. Zoom (Max. Hot-Spot, Ratio 6:1)

Total Output: 10517 lumens



Max. Zoom (Max. Hot-Spot, Ratio 7.5:1)

Total Output: 11032 lumens



Fixture setting  
CRI Setting: Standard  
Close Proximity Mode Off  
Hot-Spot control: 0 DMX  
Lamp mode: standard

# Robin iPointe65

## Photometric Diagram

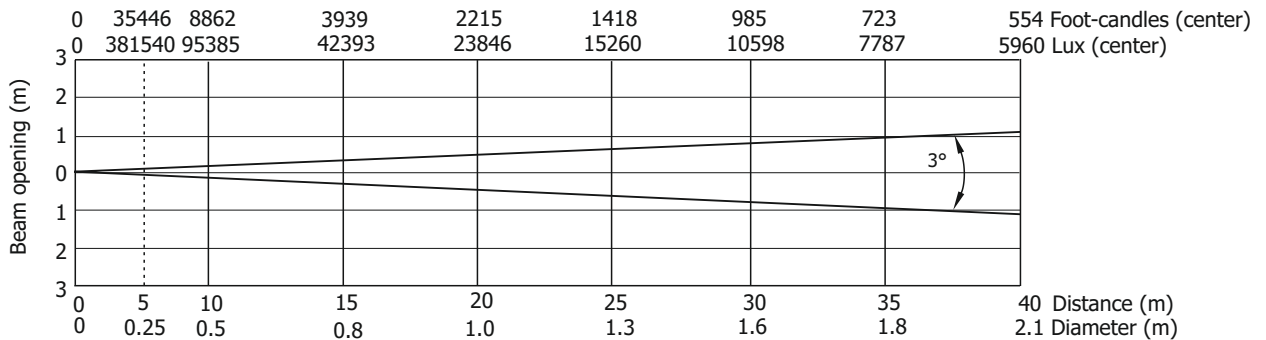
Lamp: Osram Sirius HRI 310 W RO

### Lamp in Standard mode

#### Spot Application

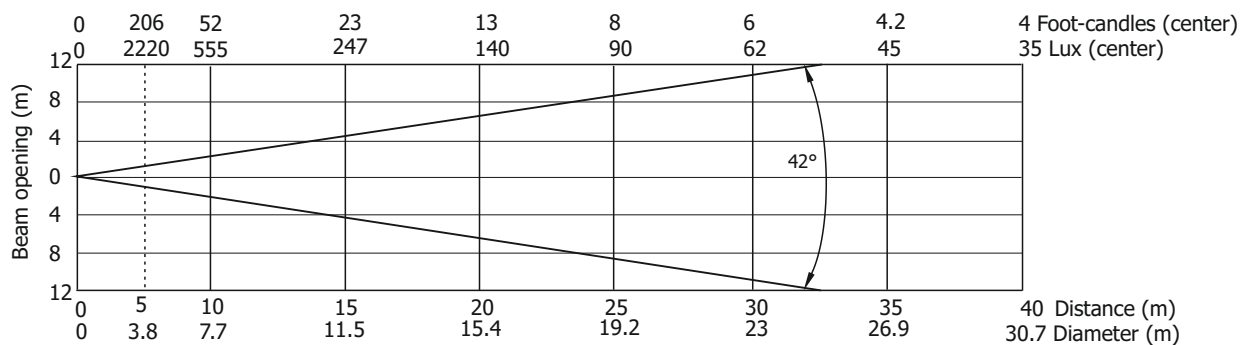
Min. Zoom (Min. Hot-Spot, Ratio 2.7:1)

Total Output: 9679 lumens



Max. Zoom (Min. Hot-Spot, Ratio 3.6:1)

Total Output: 9874 lumens



Fixture setting  
 CRI Setting: Standard  
 Close Proximity Mode Off  
 Hot-Spot control: 0 DMX  
 Lamp mode: Standard

# Robin iPointe65

## Photometric Diagram

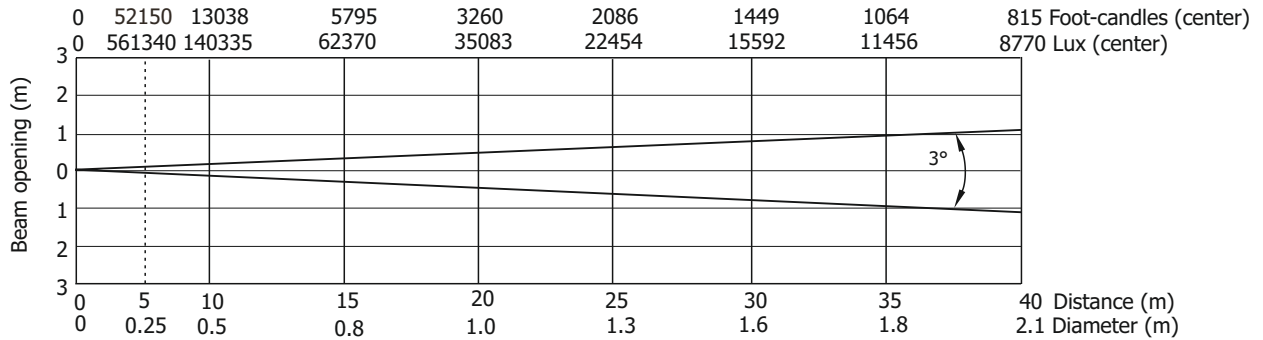
Lamp: Osram Sirius HRI 310 W RO

### Lamp in Standard mode

#### Spot Application

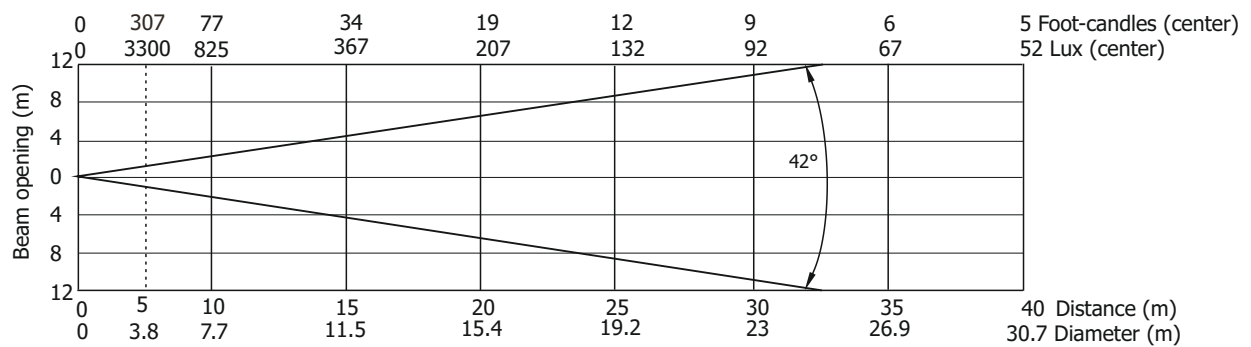
Min. Zoom (Max. Hot-Spot, Ratio 4.5:1)

Total Output: 11618 lumens



Max. Zoom (Max. Hot-Spot, Ratio 6:1)

Total Output: 11628 lumens



Fixture setting  
CRI Setting: Standard  
Close Proximity Mode Off  
Hot-Spot control: 255 DMX  
Lamp mode: Standard